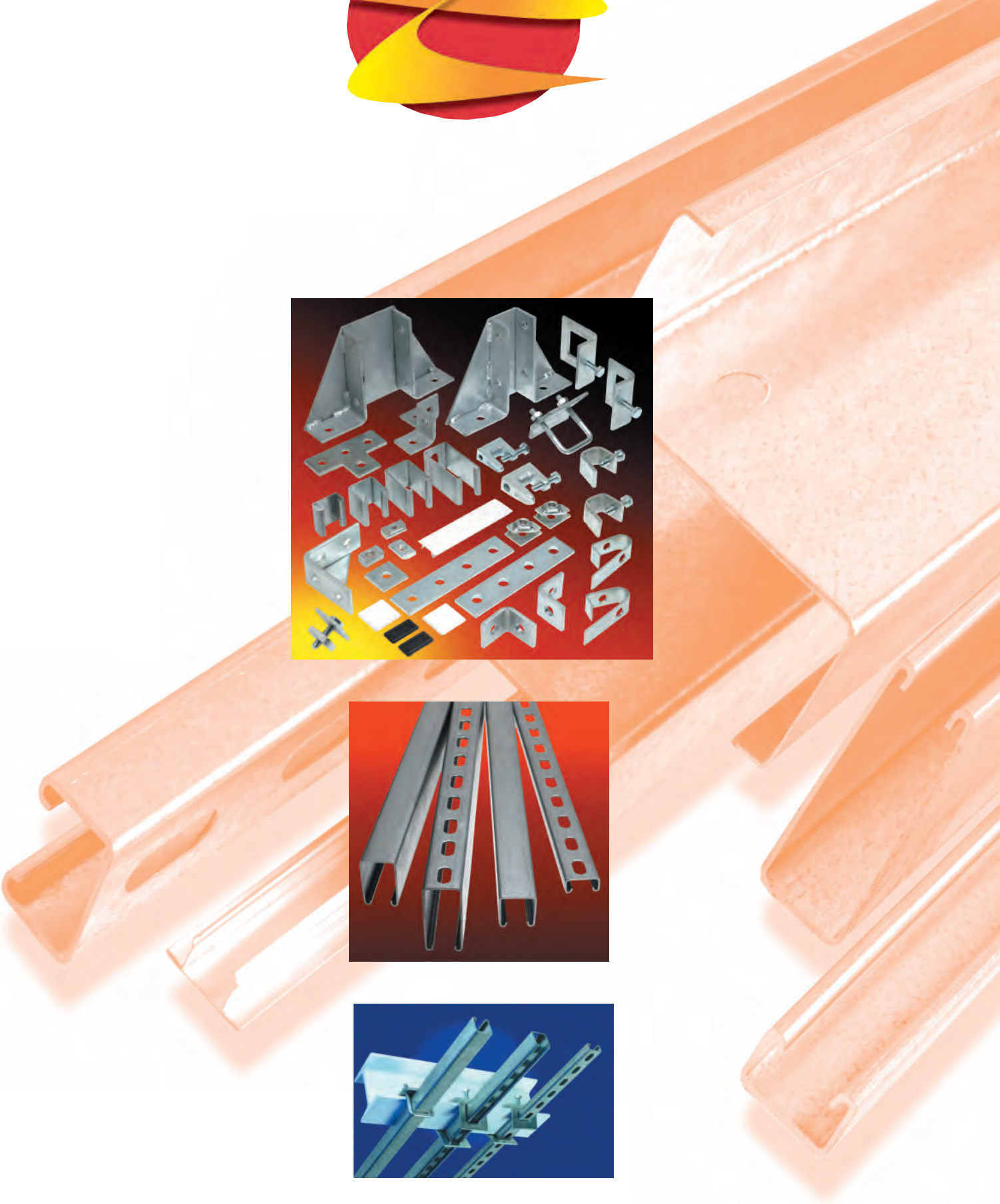
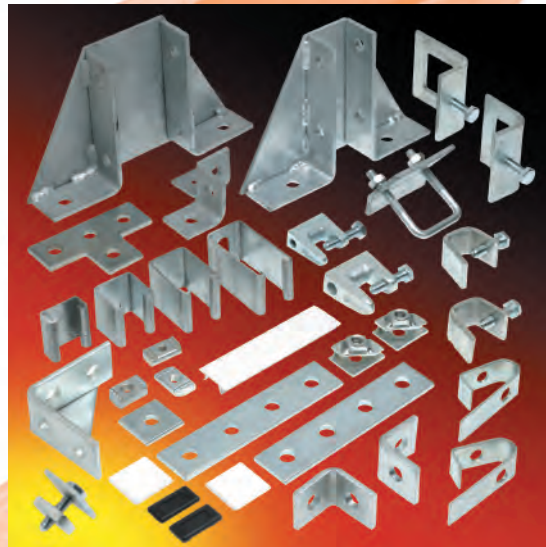


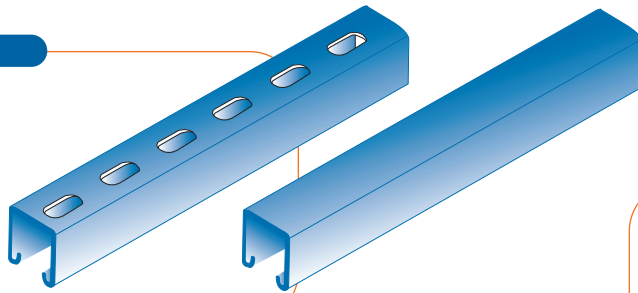
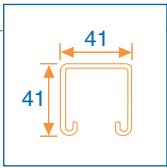
# *Strut Framing*



# Channels

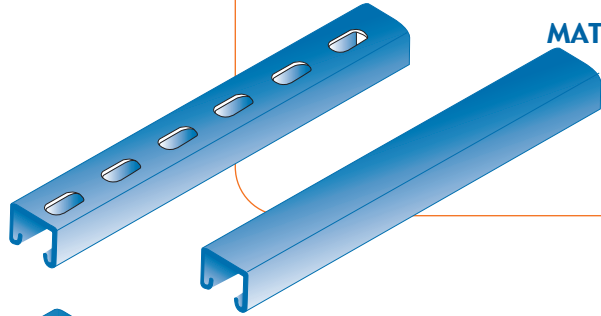
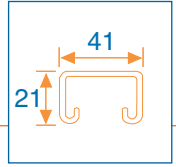
41-41

MATL: 2.5



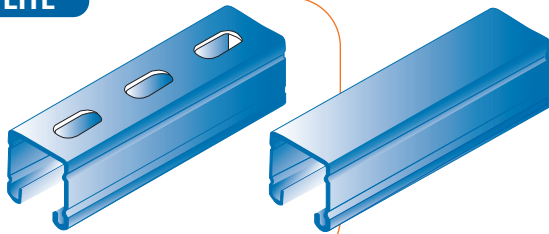
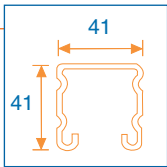
41-21

MATL: 2.5



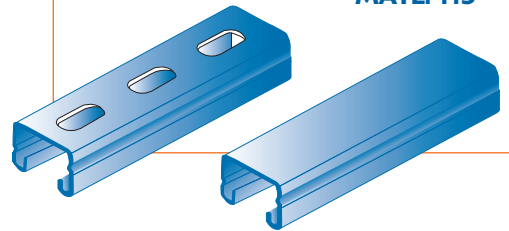
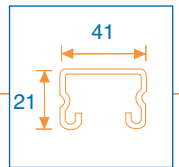
41-41 LITE

MATL: 1.5



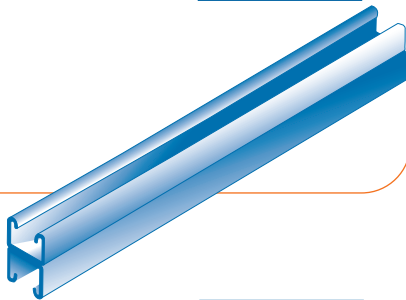
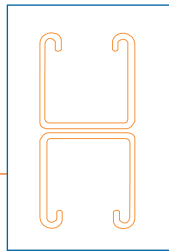
41-21 LITE

MATL: 1.5



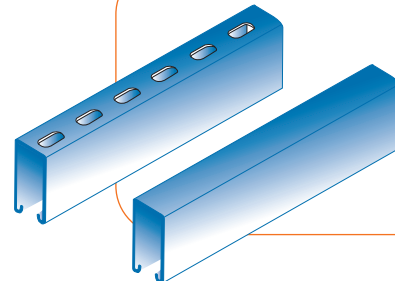
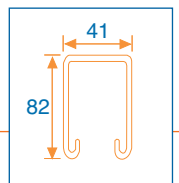
Controlled slots  
now available  
in short lengths

BACK/BACK



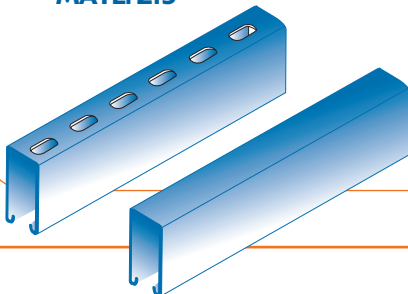
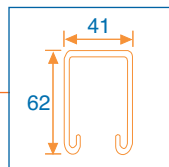
41-82

MATL: 2.5



41-62

MATL: 2.5



**MATERIALS**

- Pre-Galvanised
- Hot Dipped Galvanised
- HRPO
- Stainless Steel

Stocked in 3metre & 6metre lengths  
Slot Sizes 28 x 12 & 28 x 14

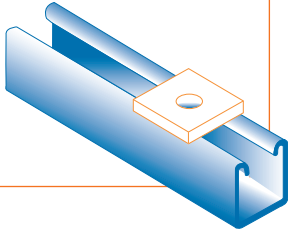


# Accessories

## Flat Plate Brackets

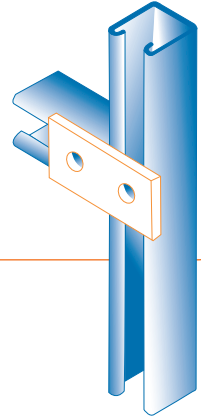
F101

Single Hole



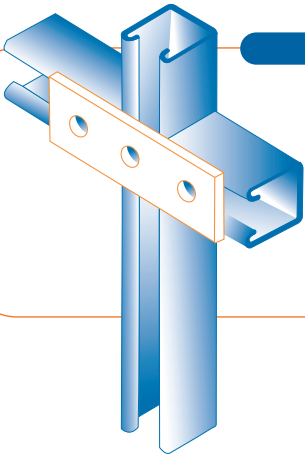
F102

2 Hole



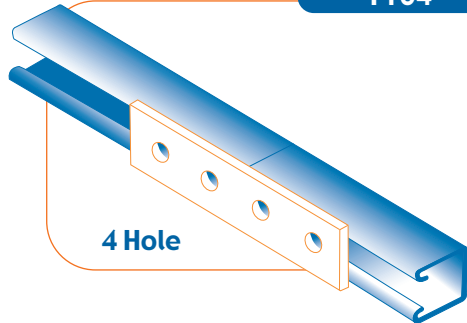
F103

3 Hole



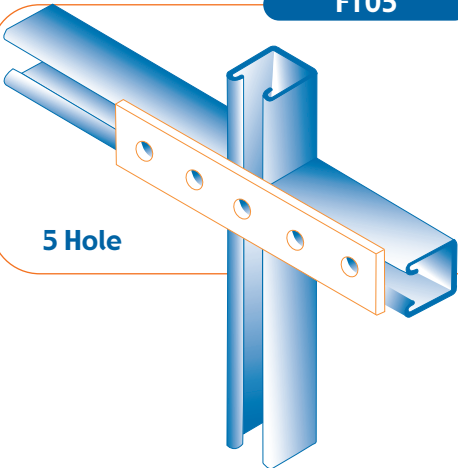
F104

4 Hole



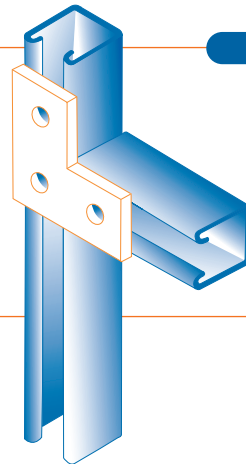
F105

5 Hole



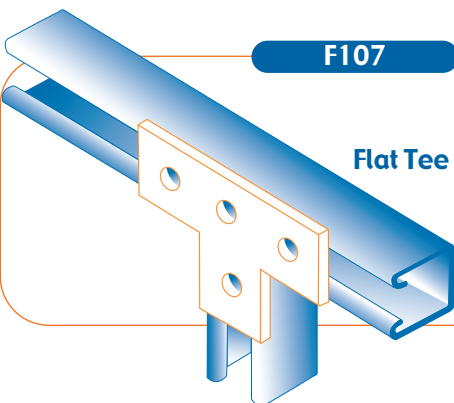
F106

Flat - L



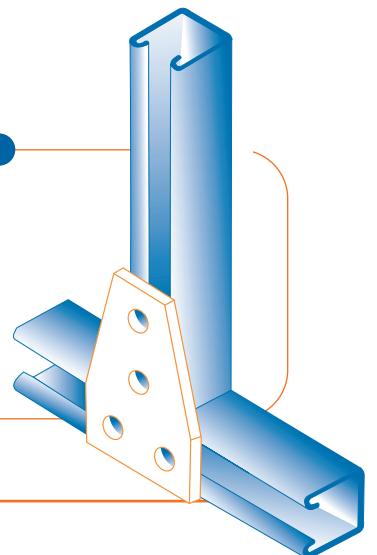
F107

Flat Tee



F108

Flat Delta



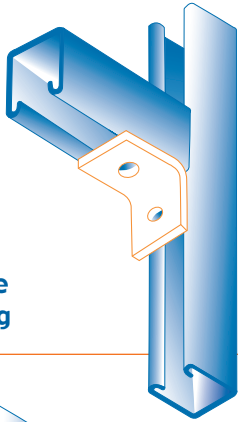
# Accessories

## Angle Brackets

ALL BRACKETS HAVE 14mm DIAMETER HOLES & ARE SUPPLIED WITH A GALVANISED FINISH.

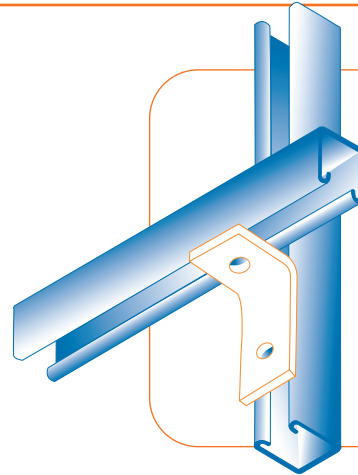
A200

90° Single hole angle/Even leg



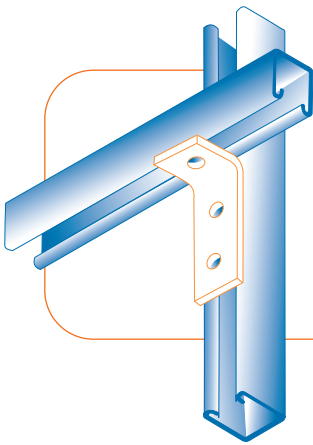
A201

90° Single hole angle/Odd Leg



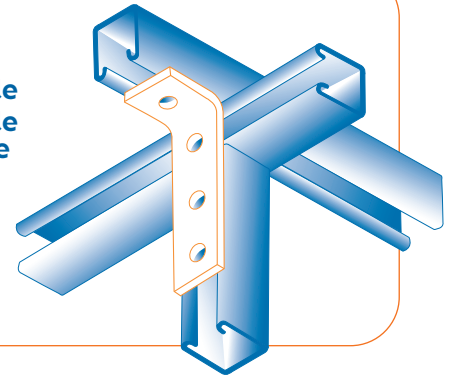
A202

90° 2 hole 1 hole angle



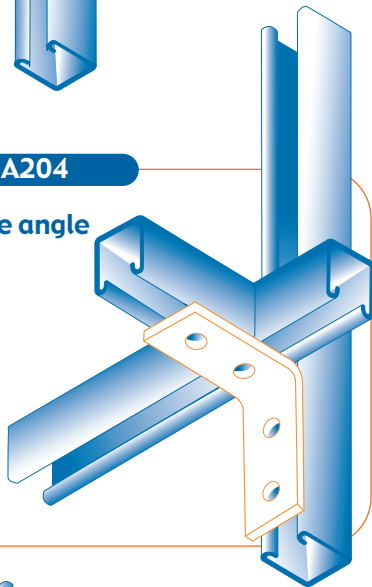
A203

90° 3 Hole 1 Hole angle



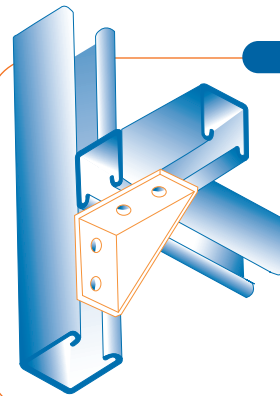
A204

90° 4 hole angle



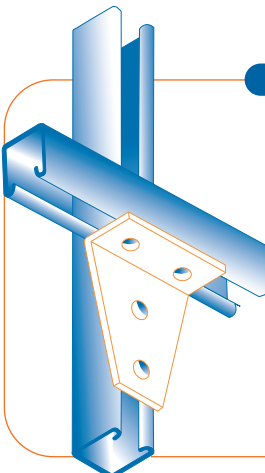
A205

Welded Angle



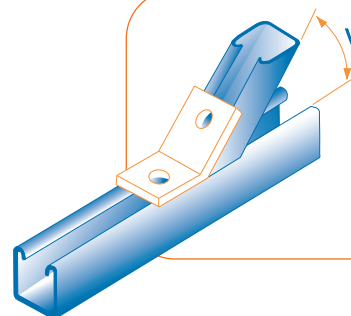
A206

90° Delta



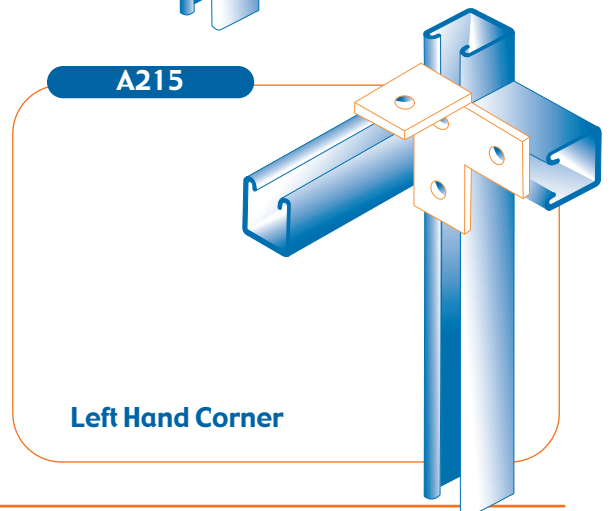
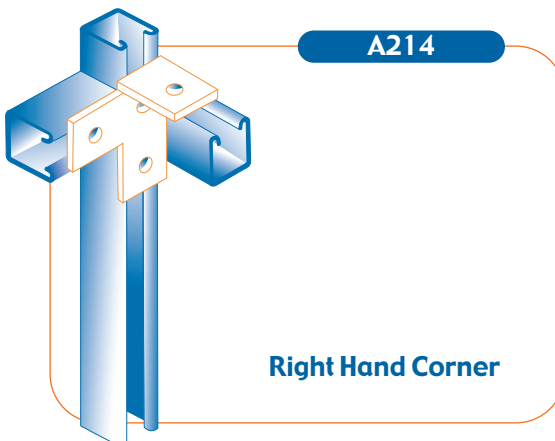
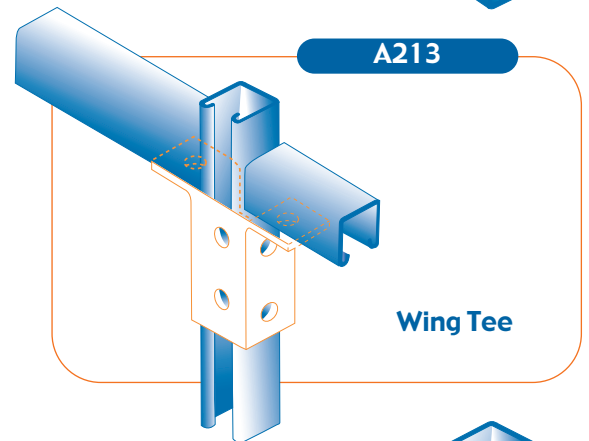
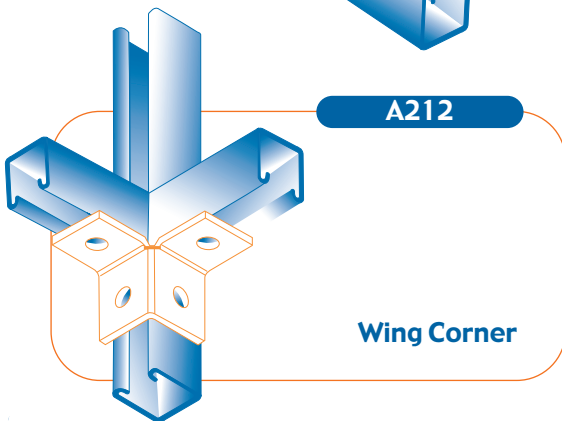
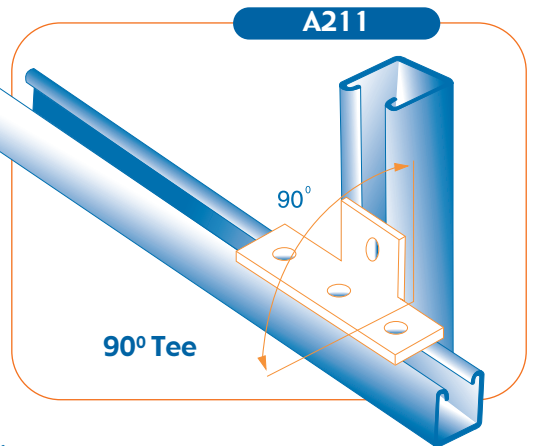
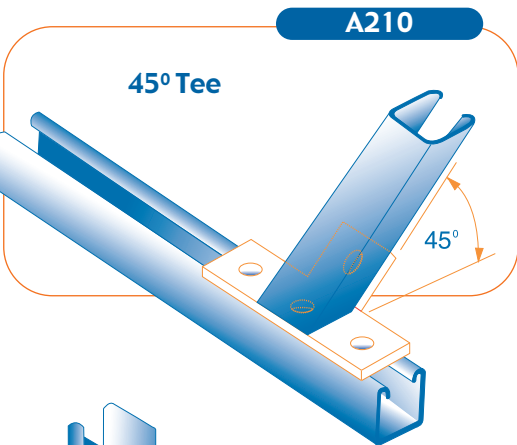
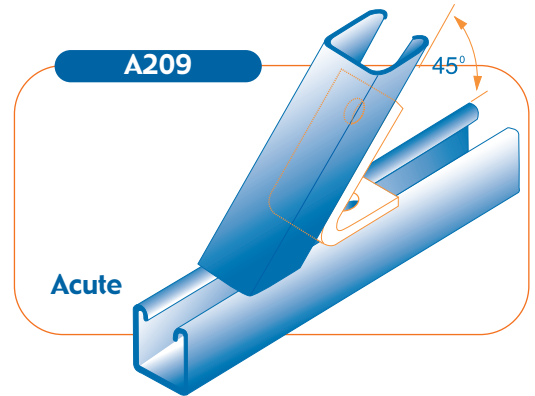
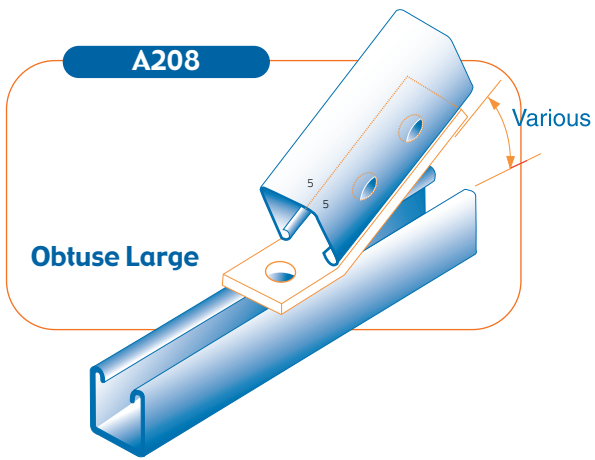
A207

Obtuse Small



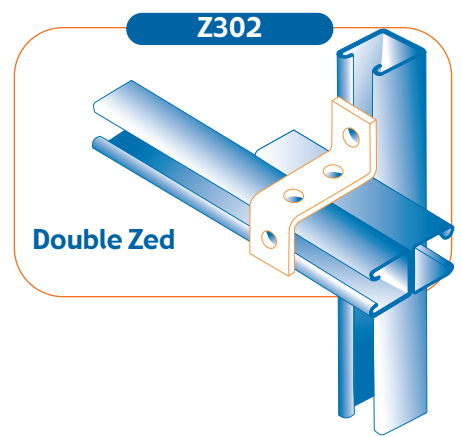
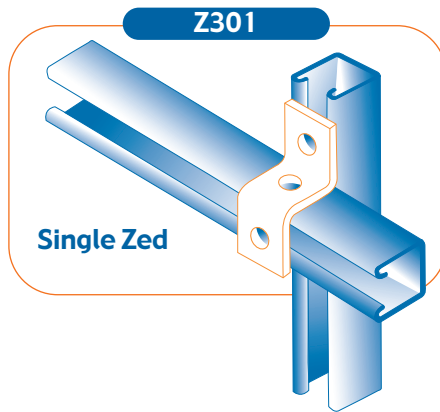
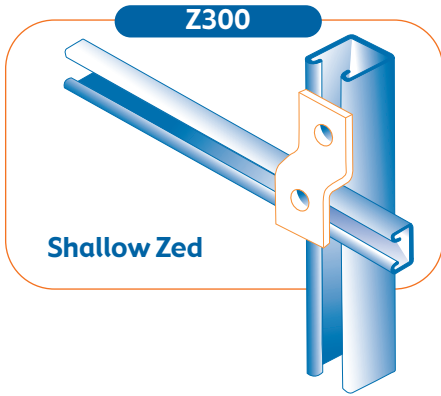
# Accessories

## Angle Brackets



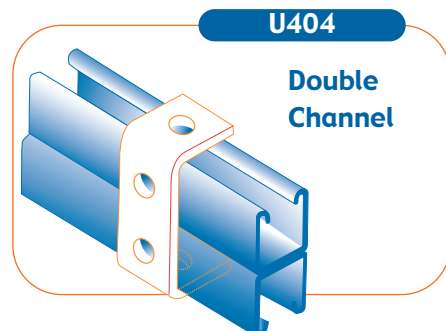
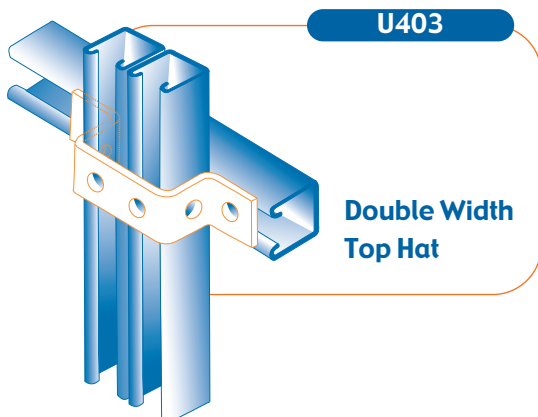
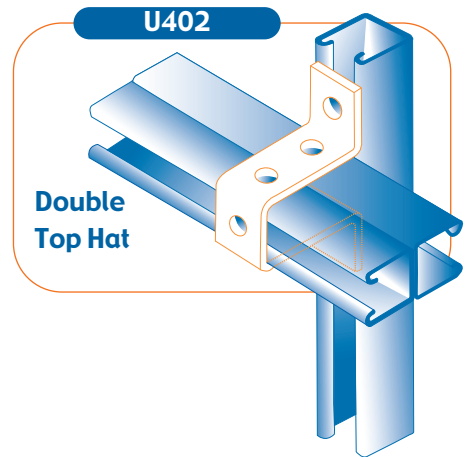
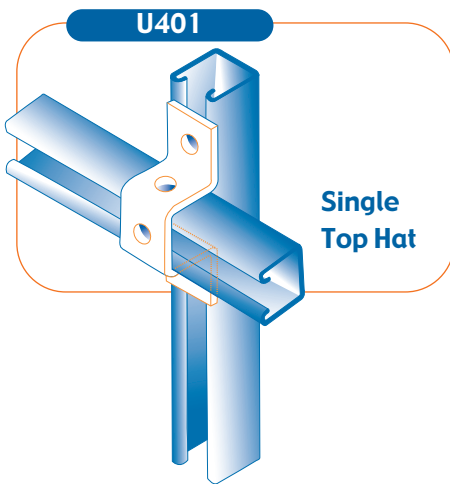
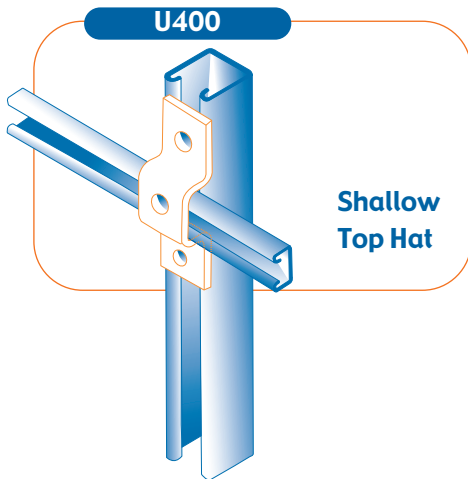
# Accessories

## Zed Brackets



# Accessories

## U-Brackets

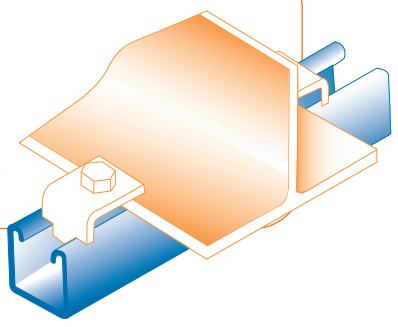


# Accessories

## Beam Clamps

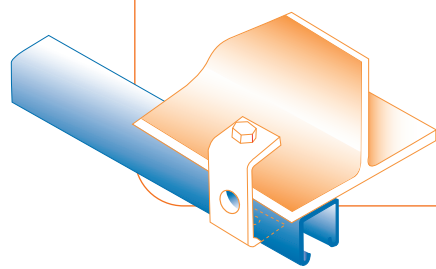
C600

Toe Clamp



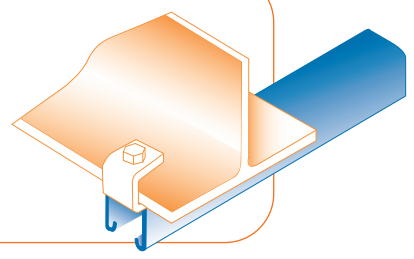
C601

Side Clamp



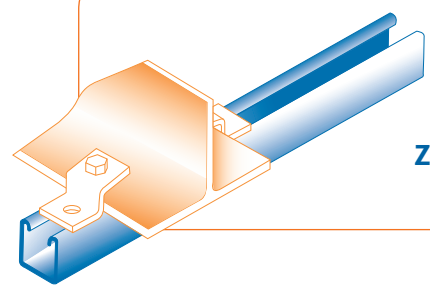
C602

End Clamp



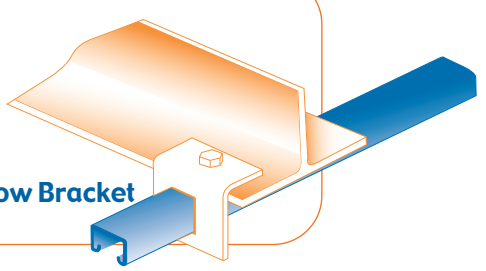
C603

Zed Clamp



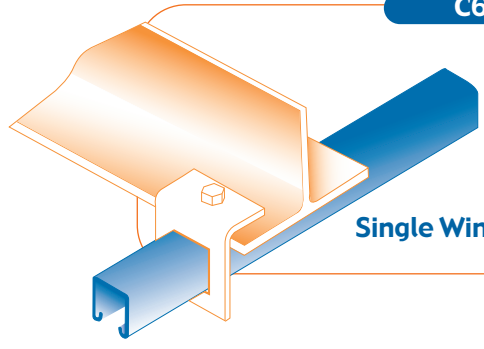
C604

Shallow Window Bracket



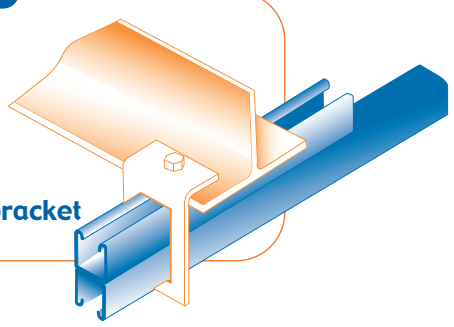
C605

Single Window Bracket



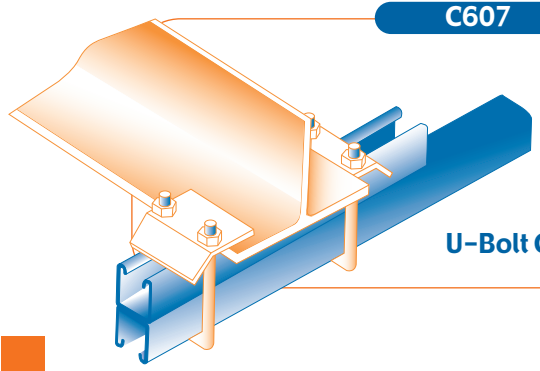
C606

Double Window bracket



C607

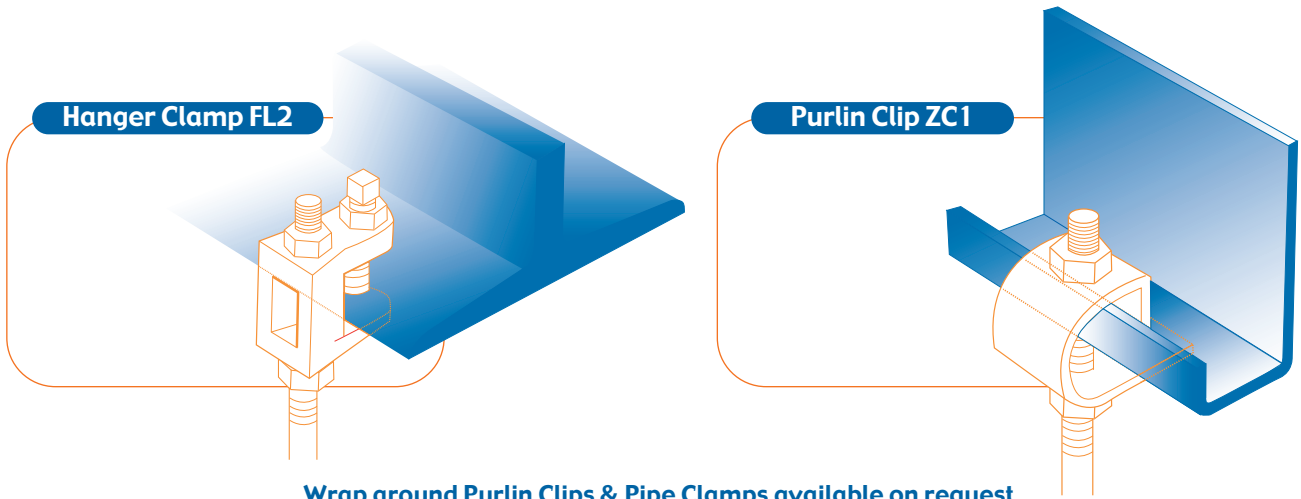
U-Bolt Clamp





# Accessories

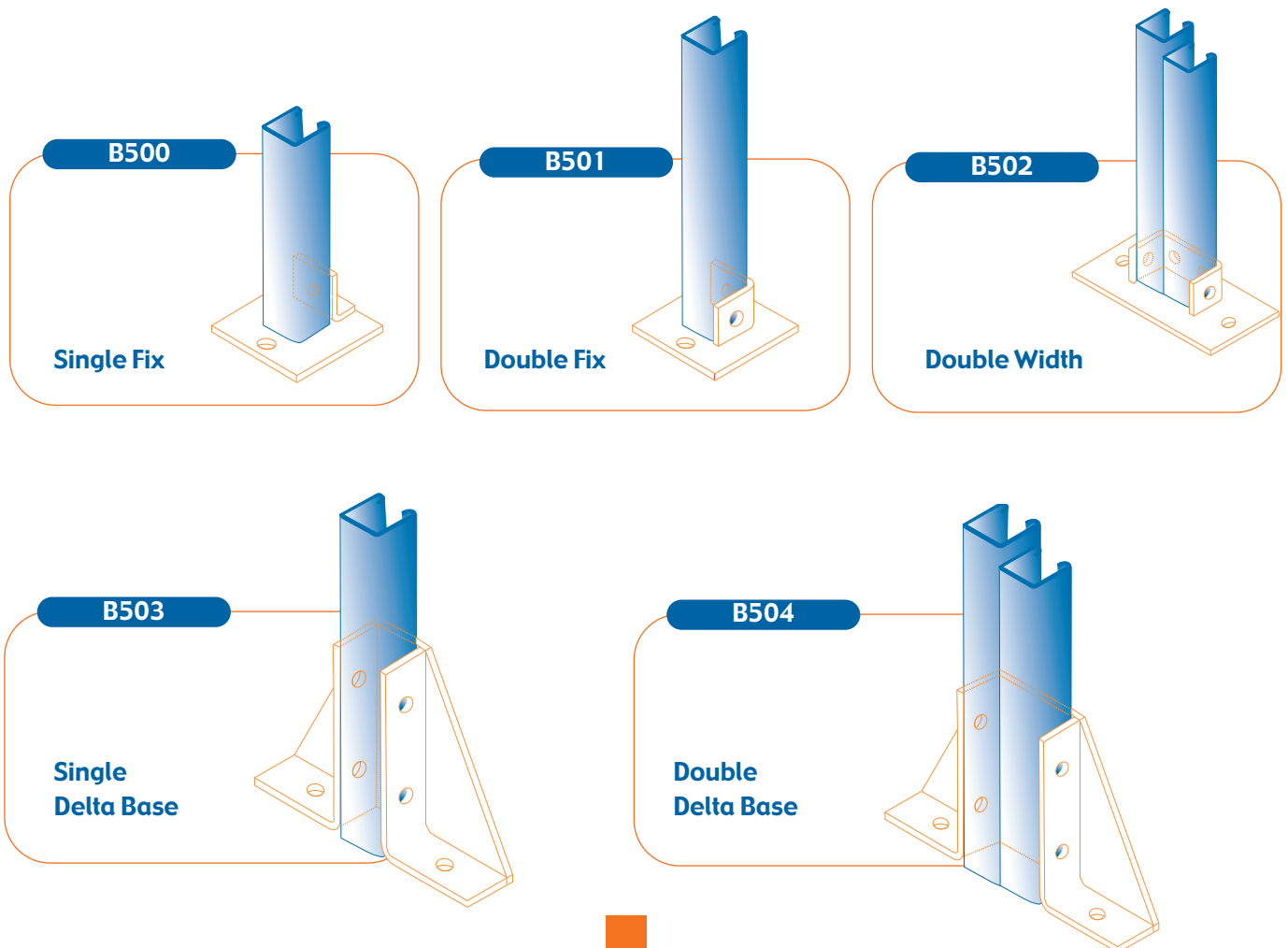
## Clips



Wrap around Purlin Clips & Pipe Clamps available on request

# Accessories

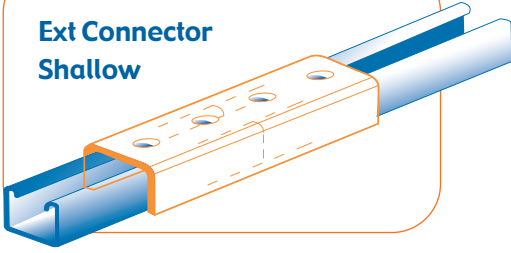
## Base Plates



# Channel Connectors

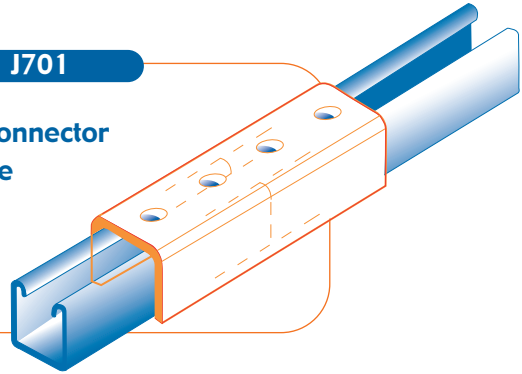
J700

Ext Connector  
Shallow



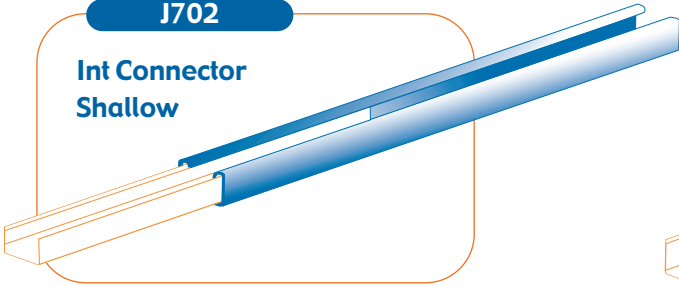
J701

Ext Connector  
Single



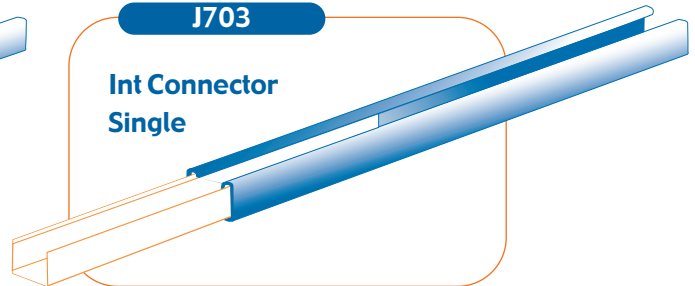
J702

Int Connector  
Shallow



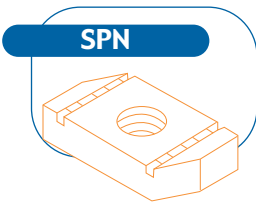
J703

Int Connector  
Single



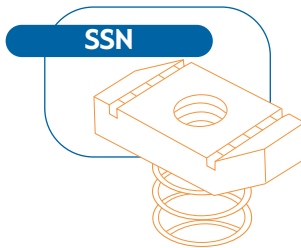
# Channel Nuts

SPN



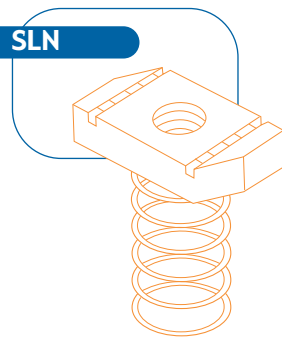
Plain

SSN



Short Spring

SLN

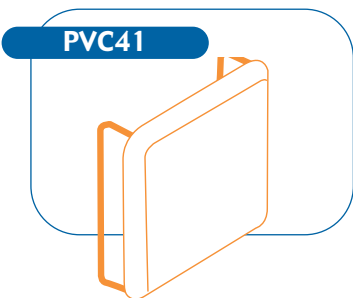


Long Spring

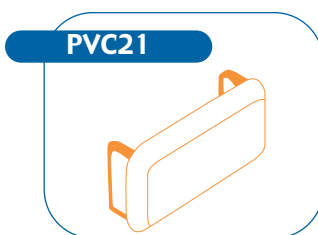
Sizes: M6, M8, M10 + M12

# End Cap & Closure Strip

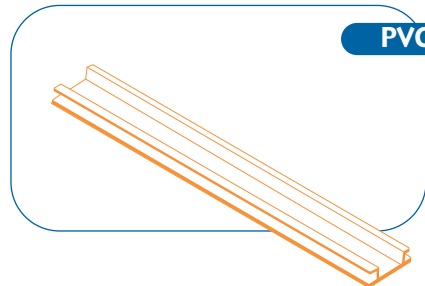
PVC41



PVC21



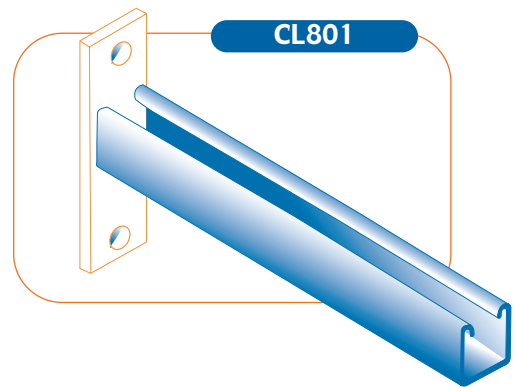
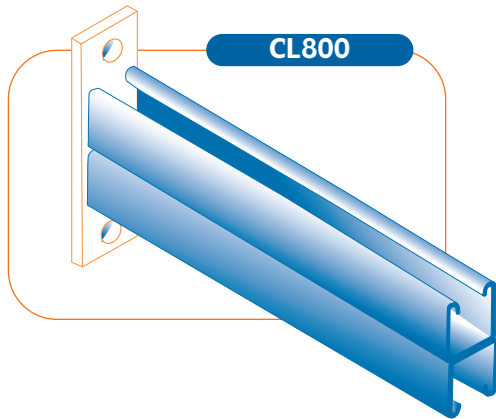
PVC STRIP



# Accessories

## Lever Arms

Hot Dipped Galvanised

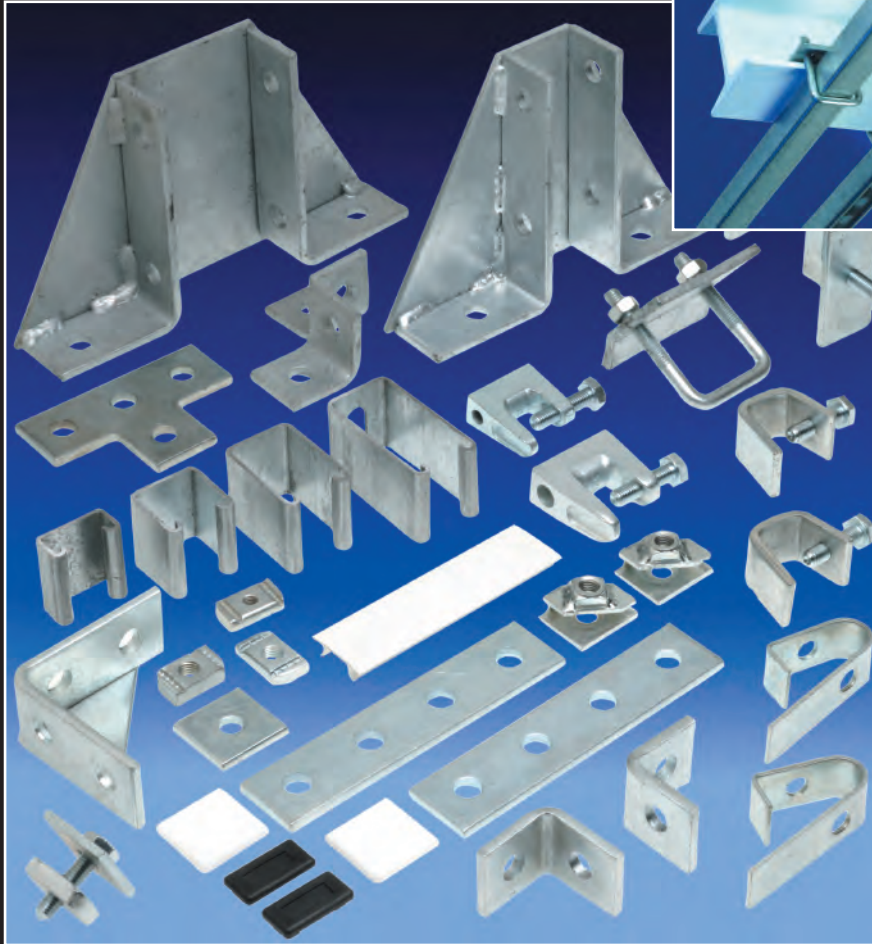


# Cold Rolled Sections



*Zed Purlins*  
*Strut Framing*  
*Angles & Channels*  
*Special Profiles*  
*Stainless Steel*





AVAILABLE FROM

